



Cabinet lift system ECO IR

*Compatible with most TV remotes

K-Eco series is a budget version of K-Type. Operated with the IR receiver attached. The receiver needs to be put outside the furniture for the proper signal receipt. Easy remote learning procedure thanks to the IR-Multicode system allows using any TV's remote for controlling the lift. IR remote is not attached - you can use any remote that operates in most popular IR bandwidth. The unit is equipped with electric motor safety system, that prevents the motor from overheating by carrying a load that is heavier than possible. The viewing position is programmed with the control box. Universal TV mount covers VESA standards from 200x200 to 600x600 and everything in between. Digital display to show all the necessary operational commands and programming modes.



**Universal IR
multicode receiver**



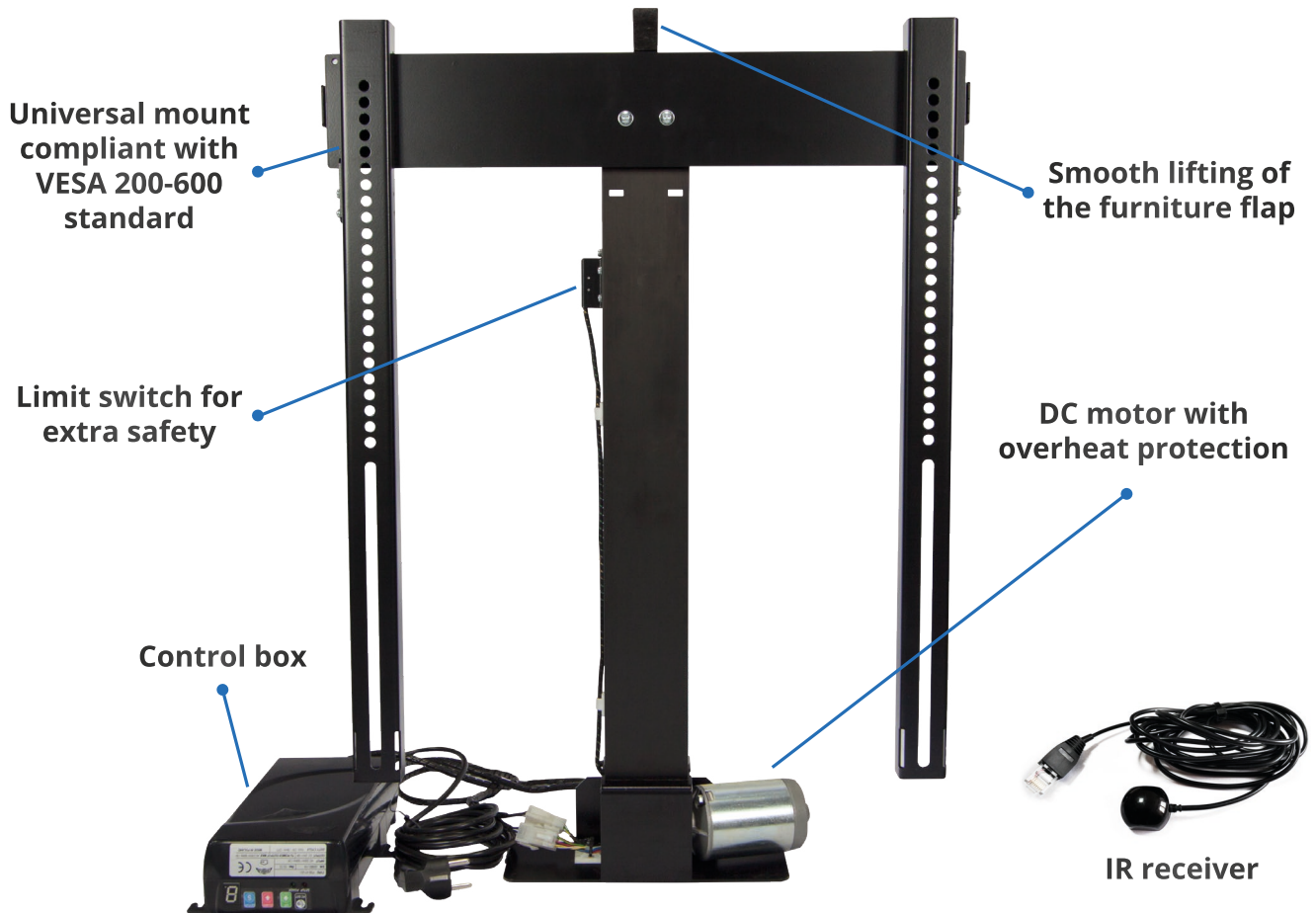
**Easy stroke
adjustment**



**5 year
warranty**



WiFi Ready
K-SMRT accessory on page 56

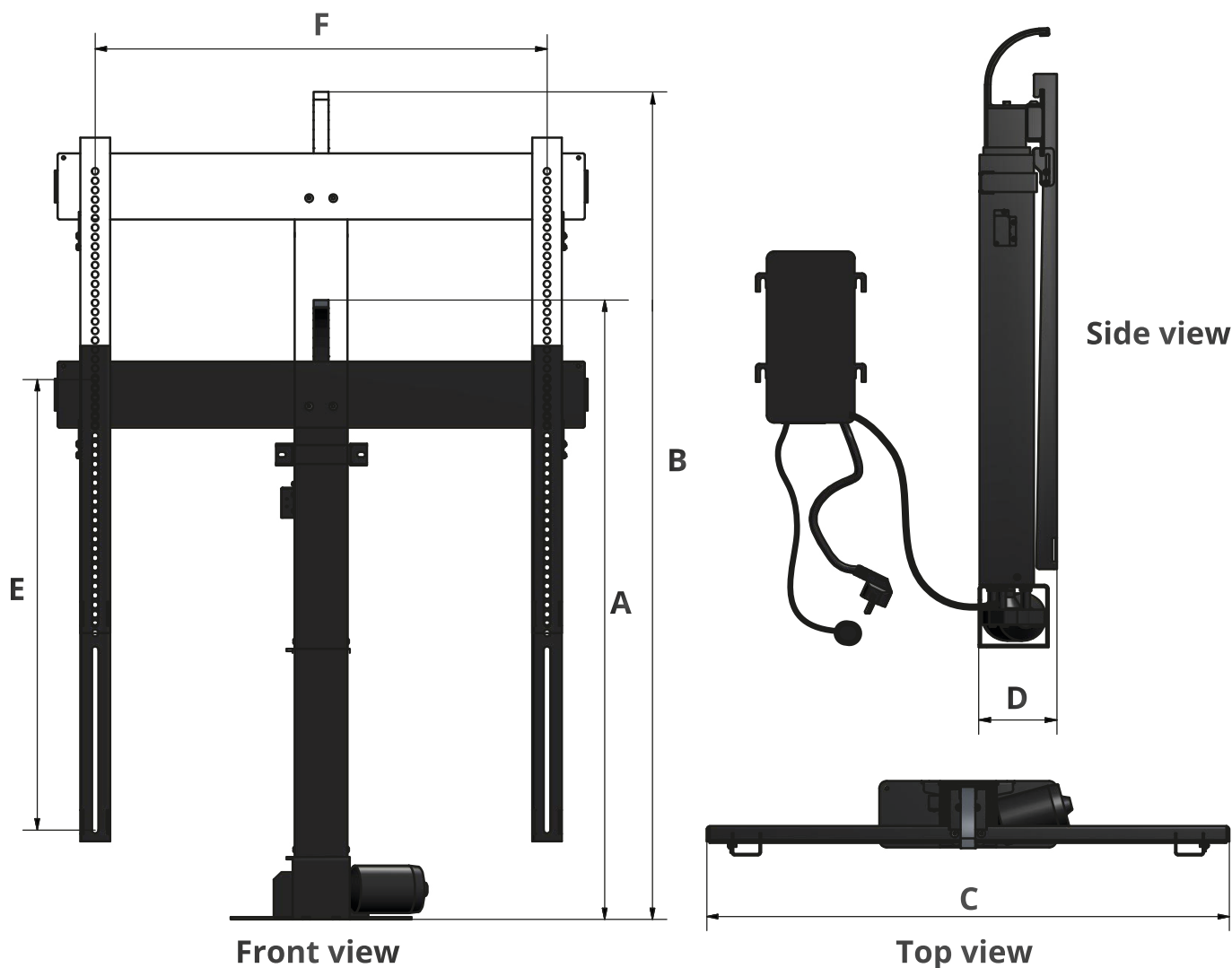


Compatible accessories on pages 56 - 57



Specification

	K-1 Eco IR	K-2 Eco IR
lifting capacity	30 kg / 65 lb	50 kg / 110 lb
lifting height	720 mm / 28"	840 mm / 33"
max screen height	690 mm / 27"	800 mm / 32"
max. VESA	400x600	600x600
lifting speed	20 mm/s	
power consumption	80W	
power supply	115V/230V	



Extension bracket available for low mount LED TV
Product ID: K-BRCK-EXTD

Dimensions [mm]		
	K-1 Eco IR	K-2 Eco IR
A	718	836
B	1435	1670
C	508	708
D	111	111
E	530	600
F	100-460	100-660