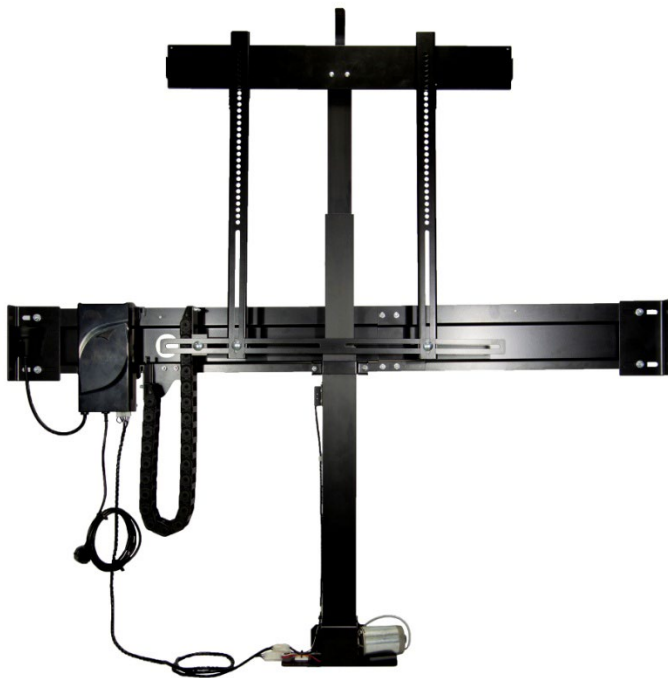


# **K-PREMIUM IR/RF**

---

## **Assembly and operating manual**



### **Models:**

- **K-1 Premium IR**
- **K-2 Premium IR**
- **K-3 Premium IR**
- **K-5 Premium IR**
- **K-1 Premium RF**
- **K-2 Premium RF**
- **K-3 Premium RF**
- **K-5 Premium RF**

**Table of contents**

Assembly and operating manual..... 3

    Set Contents..... 3

    Lift assembly ..... 4

    Mounting a TV to a lift ..... 7

    Device operation ..... 9

    Features of the control box..... 11

    Lift operating – control..... 11




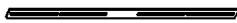

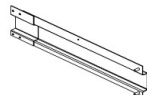




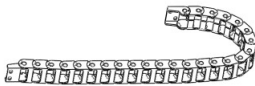
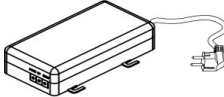


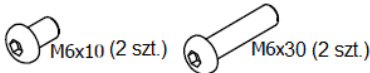

    Setting favorite position (VP)..... 12






**Before planning the installation, the installer must determine the following:**

- The thread size of the mounting holes on the rear of the television
- The shape of the back of the television (curved, flat, etc.)
- The audio/video cable mounting locations on the rear of the television
- The TV's weight




## Assembly and operating manual

### Set Contents

Lp.	Nazwa części	Ilość	Rys.
1.	Lift Column	1 pc	
2.	Horizontalbeam	1 pc.	
3.	Vertical beam	2 pc.	
4.	Beam stiffener	1 pc.	
5.	Supporting beam pt1	1 pc.	
6.	Supporting beam pt2	1 pc.	
7.	Adjustment bracket for supporting beam	2 pc.	
8.	Additional bracket, only for K3/K5 version	2 pc	
9.	Column Mounting bracket	1 pc	
10.	Chain brackets	1 set.	
11.	Cable chain	1 pc	
12.	Control box	1 pc	
13.	IR-Eye ( IR version)	1 pc	
14.	RF Remote ( in RF version)	1 pc	
15.	Screws	1 kpl.	 M6x10 (2 szt.) M6x30 (2 szt.)
16.	Nuts	1 kpl.	 M6 – 4 pcs M8 – pcs.
17.	Assembly and operating manual*	1 pc.	*this document

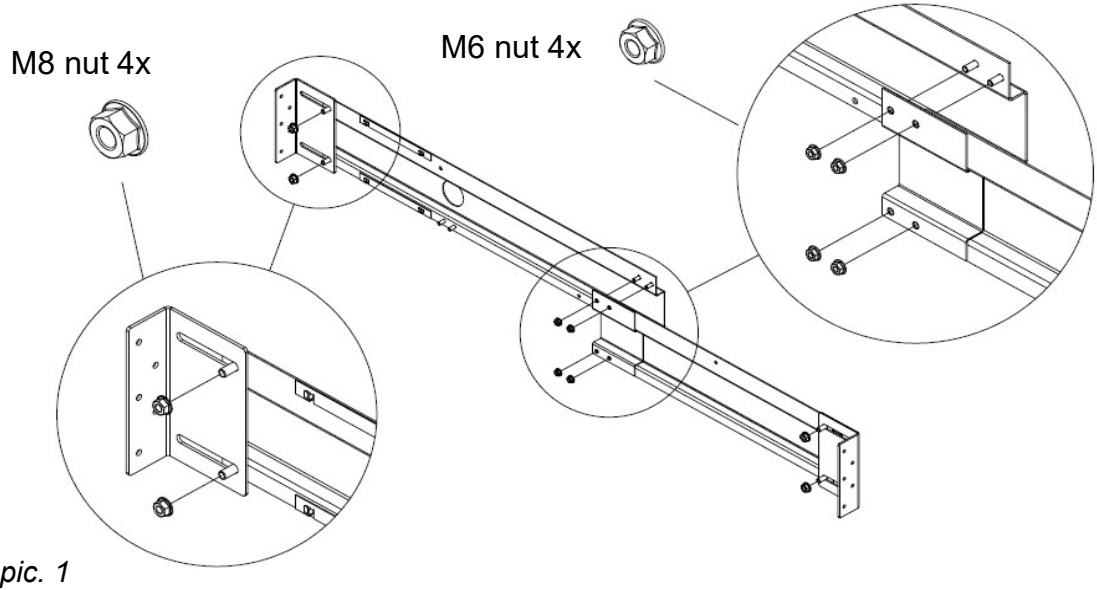
18.	Allen key	1 set	 sizes 2,5; 3; 5
19.	M6/M8 Wrench	1 pc.	
20.	Plastic spacers (15mm)	4 pcs.	
21.	Plastic spacers (10mm)	4 pcs.	
22.	Woodscrews set	7 pcs.	 size 3.5x15 (do not use for boards thinner than 15mm!!!)

**Tools required**

No.	Tool name	Fig.
1.	Cross screwdriver	 
2.	Socket wrench	 size 10

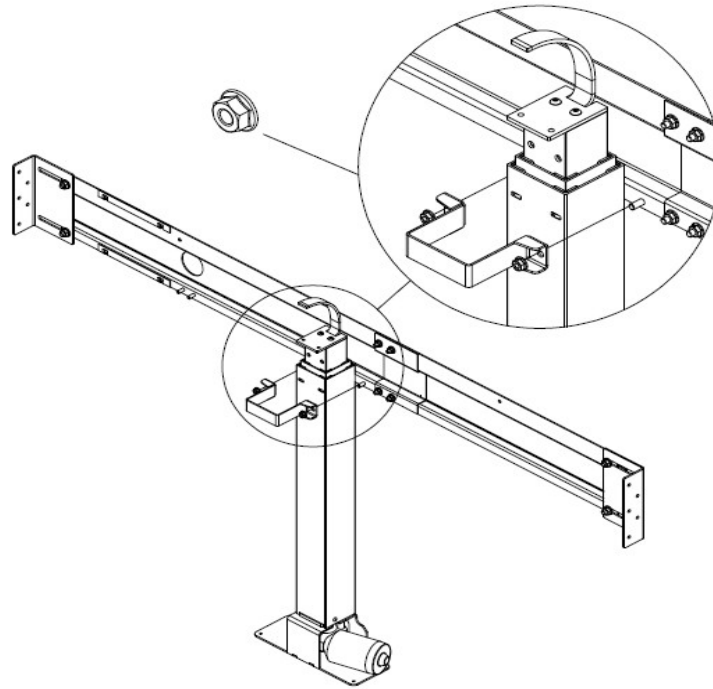
**Lift assembly**

1. The supporting beam needs to be assembled as on pic.1. Use the supplied wrench to tighten the nuts.



Assembly guide

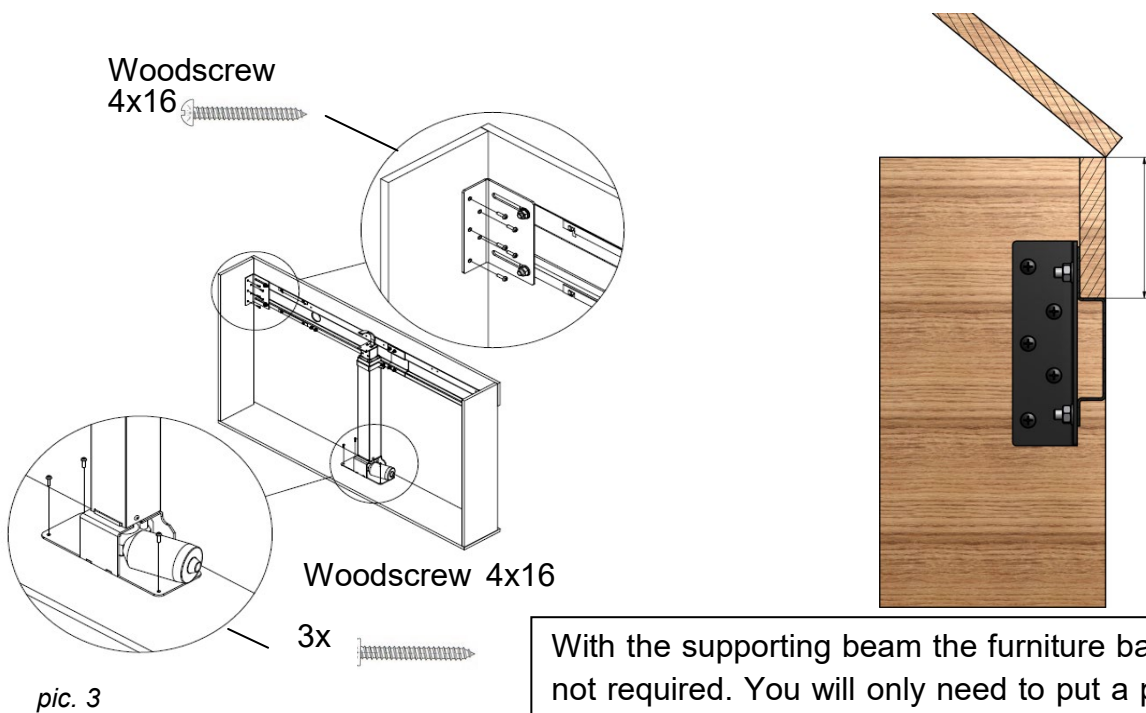
2. Use the bracket to connect supporting beam to with the lift, as you see on pic. 2.



pic. 2

3. Set the adjustment brackets so that each one of them faces the side of the cabinet, as shown on pic. 3. Attach the adjustment brackets with woodscrews, so they are mounted firmly on the furniture.

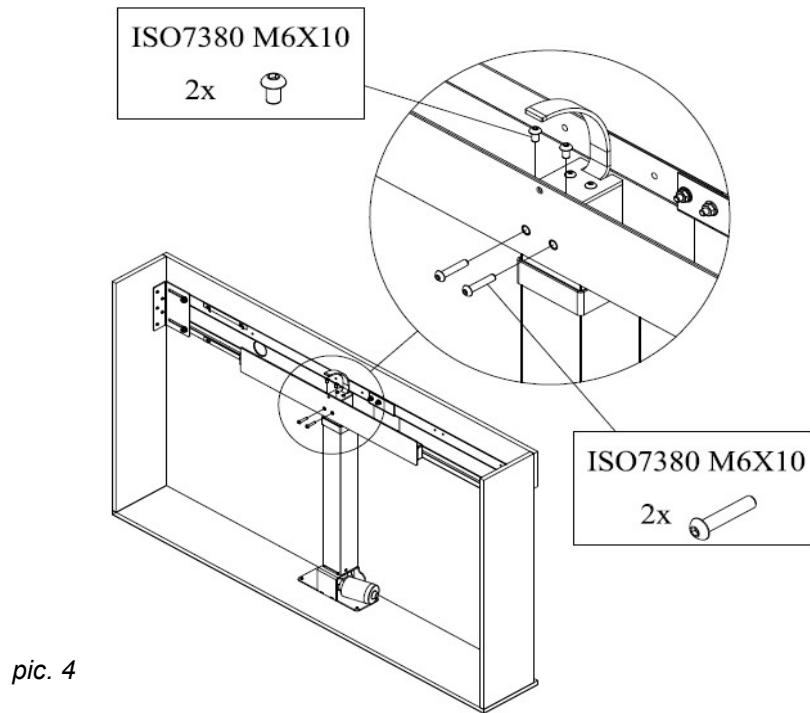
**Note:** Always check if the woodscrews aren't too long for your furniture! Use the extended adjustment bracket for wider TV's. Also attach base of the lift to the bottom of your furniture with woodscrews.



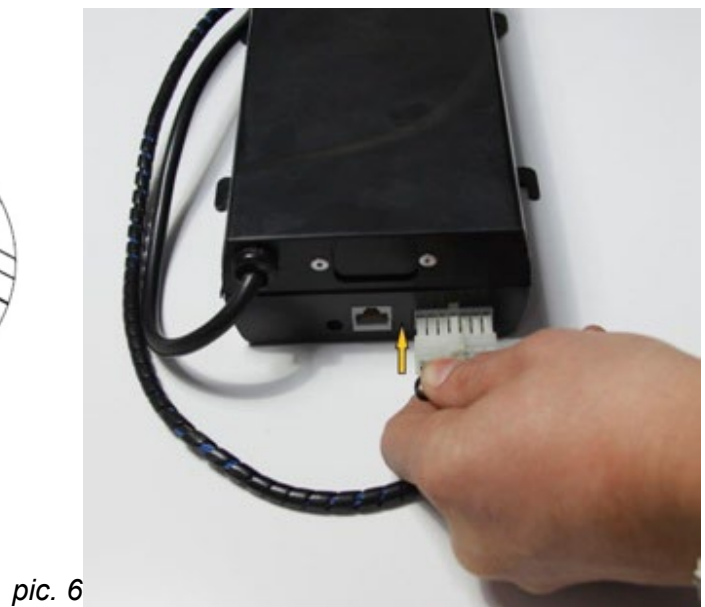
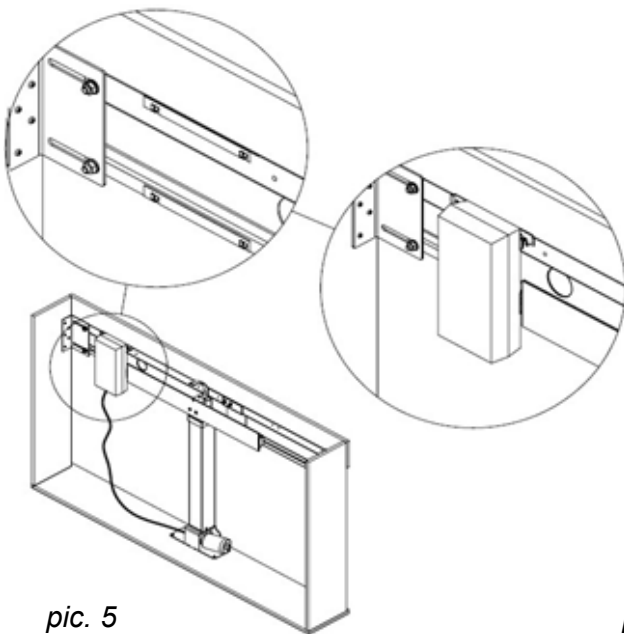
pic. 3

With the supporting beam the furniture back wall is not required. You will only need to put a plank with hinges for the top lid as shown on the pic. 3a.

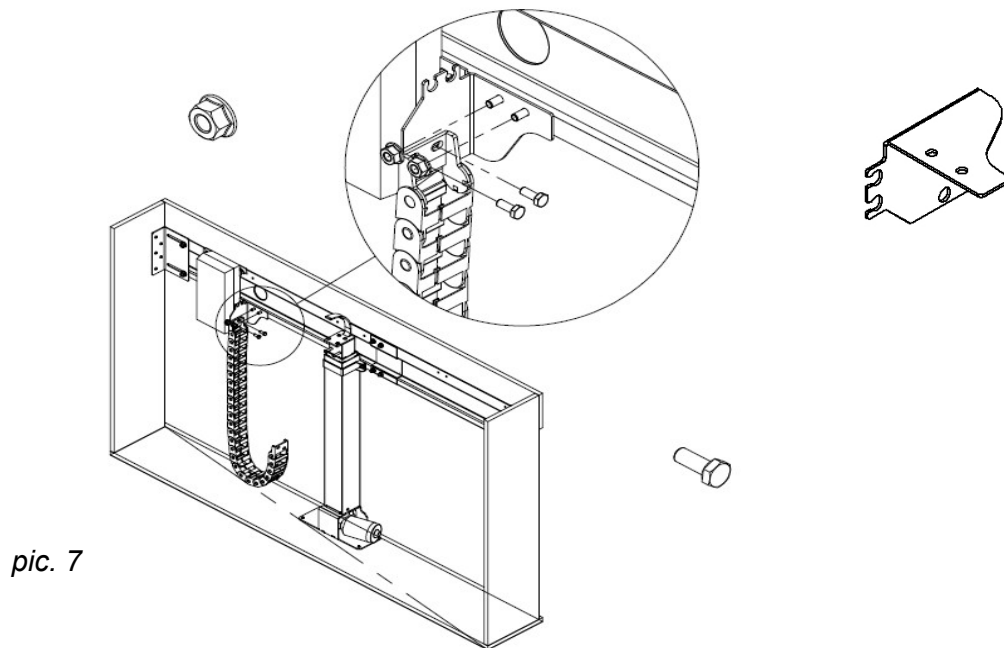
4. Mount horizontal beam to the column, using attached screws (pic.4).



5. Hang control box on the hangers, as you see on Pic.5, then connect Control box to the lift as on pic.6. You can eventually place the control box elsewhere, as long as the cables are long enough and it doesn't get in the way of the TV nor the lift.

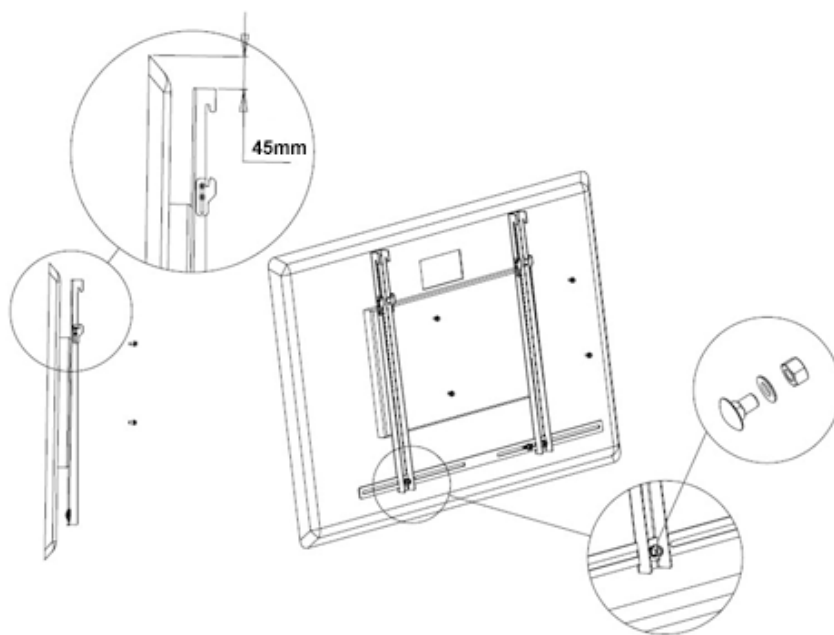


6. Mount cable brackets and cable chain as you see on pic. 7.

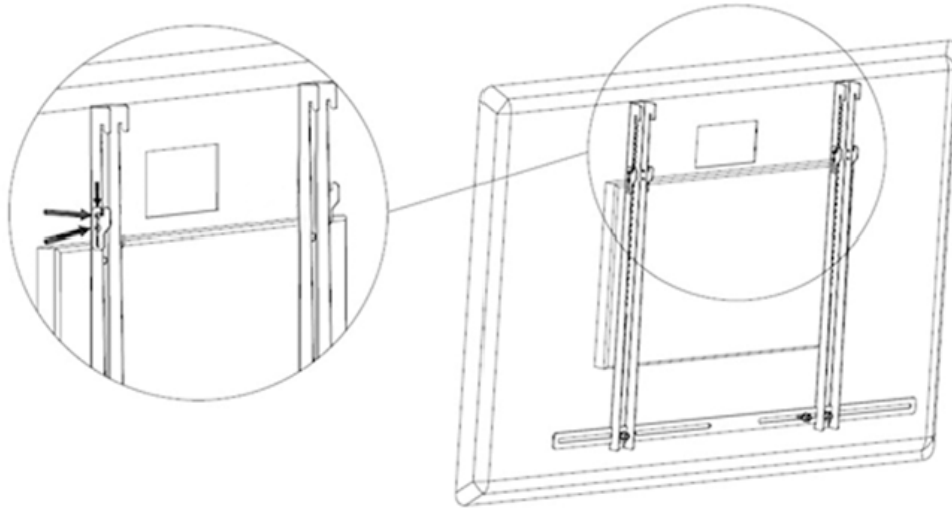


### Mounting a TV to a lift

8. Using screws provided by your TV manufacturer mount the vertical beams to your screen. The beams should be about 45mm below upper edge of the screen. Connect vertical brackets by a stiffener as shown on Pic8. You can use supplied spacers and screws if your TV requires them.



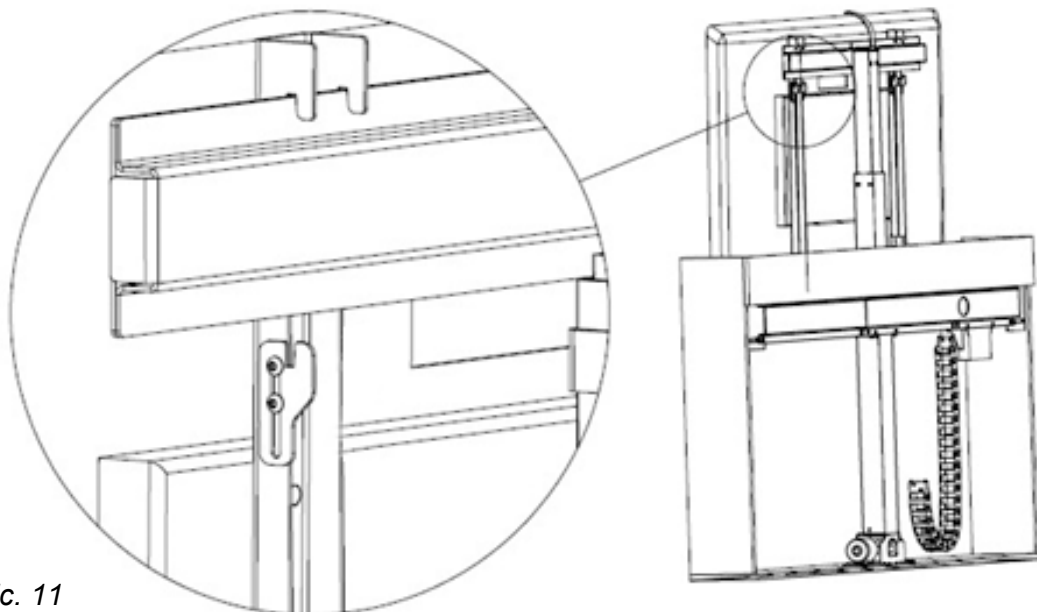
9. Loosen the lower brackets on the vertical beams, as shown on Pic.9



pic. 10

10. Hang the screen with vertical beams mounted on the horizontal beam on your Lift (pic. 10).

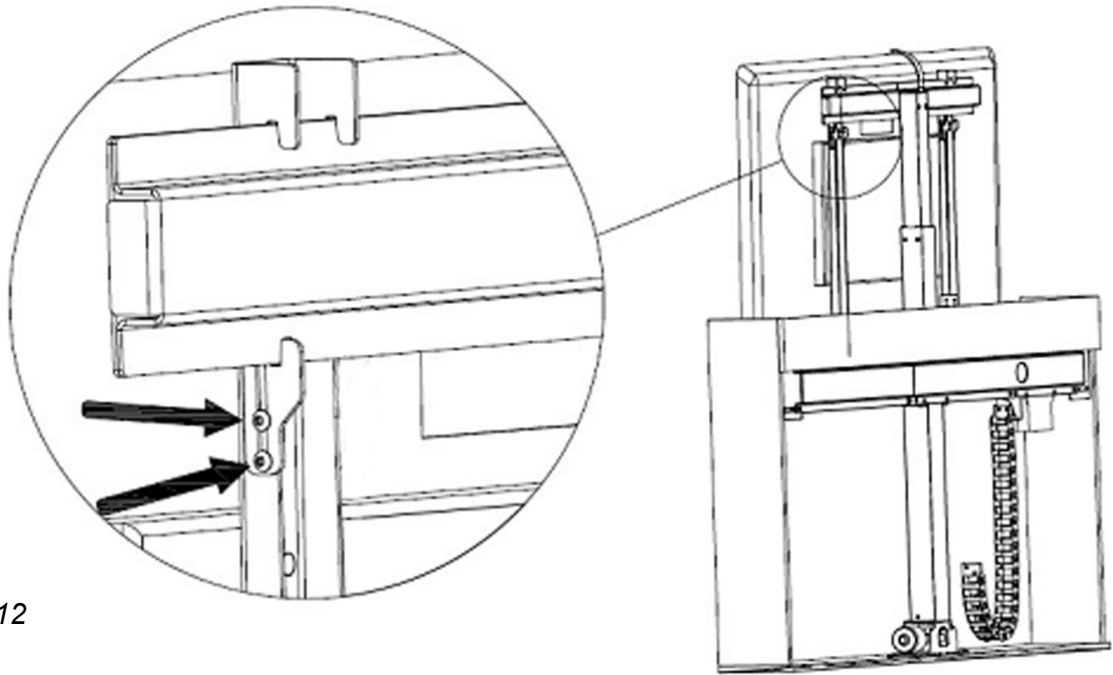
**Note:** you can drive the lift up to make the TV installation more comfortable. Please refer to page 22-23 for further instructions.



pic. 11

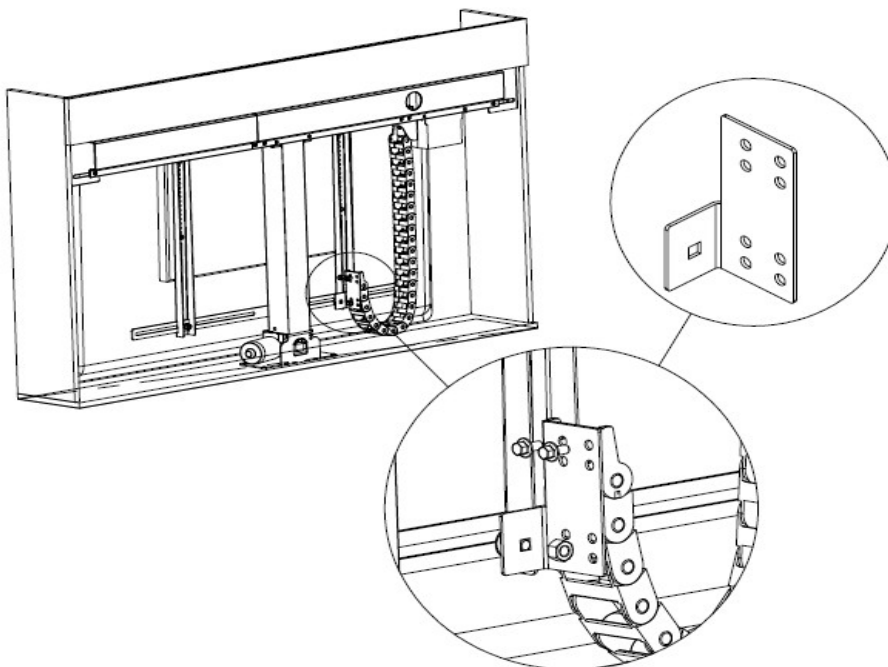
11. Move the lower brackets on the vertical beam up and tighten the screws (Pic.11)





pic. 12

12. Connect lower cable bracket to the cable and then to the beam stiffener. You can lead all of the cables from your TV through the cable chain.



### Device operation

The control box supplied with the set is pre-programmed for the maximum ranges of the lift movement.

### 13. Control panel




14. Connecting the controller: connect cable from the lift with the control box. Then plug in the main socket. The power supply is signalled by lighting the indicator POWER (green). Then the controller carries out the procedure "self-test" indicating this by three sound

signals and flashing lights "SETUP" (red). After finish this operation the control box is ready to work. Pressing any button is confirmed by a short beep sound.

## Features of the control box

**15. Active RJ-45 Socket:** Your Premium control box is equipped with the active RJ-45 socket, which allows to plug in additional accessories supplied by producer.

**NOTE:** Only the original producer accessories will work with your control box. If you attempt to modify or connect any other devices via the RJ-45 port, you might damage the control box and you will lose the warranty for doing so.

**16. Safety system operation:** The intelligent safety system detects the obstacles when the screen is moving down as a weight difference. It does not require any calibration, which is done automatically. After detecting an obstacle the lift stops and moves up a few centimetres. The safety system works only during the down movement. When the safety system is activated, the blinking symbol  appears on the display and you will hear a continuous "beep" signal for a few seconds.

**17. POWER GUARD:** When you plug your TV into the control box socket - if the user attempts to hide the fully operating screen (turned ON), the control box cuts the power out. After lifting the screen back to the viewing position, the power will be restored to it. If the TV is turned off or in standby mode, power will not be cut off. The POWER GUARD function can be turned off manually - with the lift extended to the preferred position, press the (V) button on the programmed IR remote control. Closing the lift will reactivate the function.

## Lift operating – control

Every control box with RF function is delivered with a pre-programmed RF Remote. Only original RF remotes can operate with control boxes. The buttons on the RF remote control are pre-programmed and cannot be changed.



fig. 14


The Control Box has 2 levels of setup.

**SETUP mode** is acquired by pressing & holding the **SETUP button**, and is signaled by a **RED SETUP LED light**.

**Motion MEMORY mode** is acquired by pressing the **RC-SET button**. You will hear short beeping sound.

**NOTE:** The lift can be operated by more than one remote RF control. The preferred ranges of motion will be the same for all remotes.

**18. Programming a new RF remote (optional):** The control box can store up to 8 different RF remotes. To program a new RF remote:

- a. Press the **RC-SET button**. You will see this symbol on the digital display .
- b. Press & hold for about 2 seconds any button on the RF remote. Properly programmed remote will result with the digital display symbol disappearing, and a short beep.

**19. IR-Multicode - IR Remote Setup (optional - requires the IR-EYE accessory):** The IR-Multicode system allows you to use any infrared remote control using RC-5 Code of the most popular TV screen manufacturers. You can program the same remote control used for your TV . Some newer remotes work on a Wi-Fi/Bluetooth and, although they might look like a standard remote, they use a completely different wavelength – not using the IR receiver. Please be advised, that **you will need the IR-EYE Accessory connected to the controller via the RJ-45 socket to operate your lift with an IR remote.** To start acquiring the IR remote:

- a. Press & hold **SETUP button** for about 2 seconds – **red SETUP led** will be lit.
- b. Press **RC-SET (Memory) button** once - you will hear constant short beep signals. Then press **SETUP button** – beep signal will stop. You will see this symbol on the display: The control box is now awaiting IR signals.
- c. Aiming your remote towards the IR-Receiver, press **2 buttons** you want to use for controlling the lift Up and Down. Every properly received button will be confirmed by short pause. Number of pauses correspond to the button set:

(I) - **UP** (1 beep)

(II) - **DOWN** (2 beeps)


- d. Press & hold **SETUP button** for about 2 seconds until the **red SETUP led** is off. The controller is now in normal operation mode.


**NOTE:** *The programmed buttons of the remote control will be active at the same time for the device operated by this remote control. The lift cannot be operated by more than one IR remote control.*

### **Setting favorite position (VP)**

Using the programmed remote control or lifts control panel, you can set the preferred ranges of motion. Your lift has been set by factory defaults to achieve both marginal positions. :

- a. Press & hold **SETUP button** for about 2 seconds – **red SETUP led** will be lit and you will hear 2 short "beep" signals. You are now in SETUP mode.
- b. Press the **UP/DOWN button** to set the position. Press the **UP/DOWN button** again to stop the lift. If you do not stop the lift with **UP/DOWN button**, it will automatically stops at the highest position when the lower limit switch is reached.
- c. Set UP Viewing Position: Press **RC-SET button** (You will hear intermittent beeper


signal) and press the **UP button**. You will see this symbol on the display . The up position has been set.

- d. Set DOWN Viewing Position: Press **RC-SET button** (You will hear intermittent beeper signal) and press the **DOWN button**. You will see this symbol  on the display. The down position has been set.


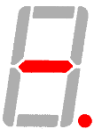



**Note:** It is not necessary to set the DOWN Viewing position, as it is pre-programmed to the lowest possible distance by default, which is proper in most cases.





- e. After you are done with all the settings, simply leave the SETUP mode by pressing & holding the **SETUP button** for about 2 seconds, until the red SETUP LED light will go off. The preferred positions are now set and the controller is in normal operation mode.

**20. Reset settings:** It is possible to reset all the favorite positions. To reset the lift press & hold SETUP button for about 5 seconds. Control box will confirm resetting by short "beep"

signal and showing you this symbol on the digital display: . After resetting the lift, it will move substantially slower until it will reach the limit switches, to calibrate itself.

**21. Troubleshooting:** The table of symbols on the digital display should also be used as a troubleshooting guide. Always check, if the green POWER led light is on – this signals, that the control box is powered. When you put the plug to the socket, you will hear the beeper sound, and the green led will be turned on. If the LED is not on, the problem might be with the control box fuse breakdown, or there is no power in the socket. Please also make sure that no external current is returned to the grid ( from high power motors like rolling shutter drive ,etc ) – as this might disrupt the electronics inside the control box.

Display	Explanation	Solution
	Assigning RF remote to control box	Press any button on RF remote to assign, or wait 15 seconds to quit mode
	Assign IR remote to control box	Press I and II consequently to program
	LIFT Limit switch cable harness disconnected	Check all the connections and contacts from Lift to control box. Some pins might be loose due to transport of furniture fitting
	UP VP Memory approved	-----
	LIFT electric motor overload	Lower the LIFTs load

	<p>Safety system activated</p>	<p>Remove obstacles from the lifts way. Eventually reduce the safety system sensivity</p>
	<p>LIFTs wiring disconnected</p>	<p>Check all the connections and contacts from LIFT wiring to control box. Some pins might be loose due to transport of furniture fitting.</p>
	<p>No impulses from LIFT's Motor</p>	<p>The LIFT motor might be blocked mechanically , unable to start moving. Cables might be loose. Many reasons to this error – please contact support, providing photos of the installation.</p>
	<p>Full motion reset</p>	<p>-----</p>